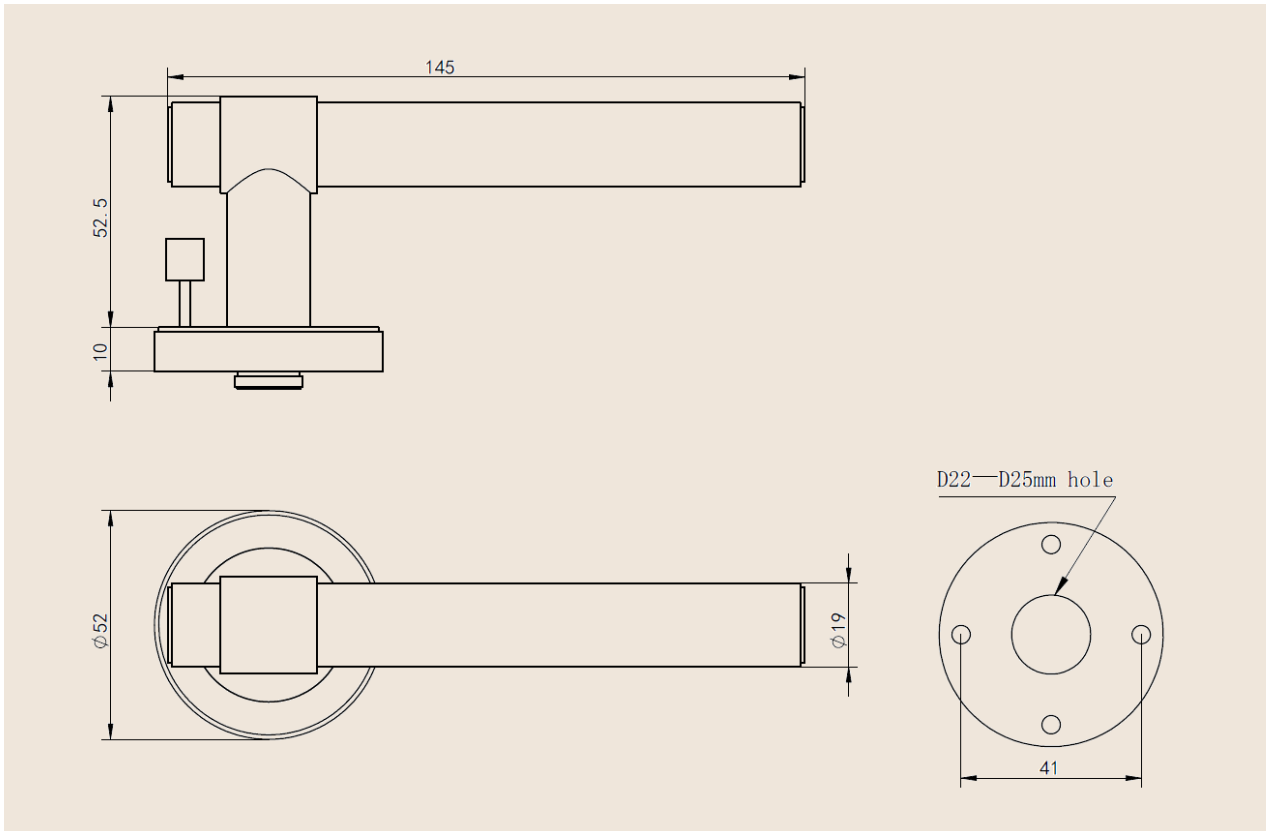


PRIVACY PUSH-PIN CABARITA



SPECIFICATIONS

A pair of solid brass door handles with 10mm sprung rose.

Compatible with BLAS 60mm backset privacy push-pin tubular latches.

Fits door thickness of 35mm minimum to 40mm maximum with standard fixings | extended fixings available on request.

FINISHES

- Satin Brass Unlacquered
- Satin Brass Enameled
- Polished Brass Unlacquered
- Light Antique Bronze Unlacquered
- Light Antique Bronze Enameled
- Medium Antique Bronze Unlacquered
- Medium Antique Bronze Enameled
- Dark Antique Bronze Unlacquered
- Dark Antique Bronze Enameled
- Satin Nickel
- Satin Black Powdercoated
- Satin White Powdercoated

PARTS

- 1x pair of sprung privacy push-pin door levers
- 1x Privacy Push-Pin Latch
- 2x Smart Screws 38-40mm Door thickness
- 2x Smart Screws 34-38mm Door thickness
- 2x Smart Screws 32-34mm Door thickness
- 2x Smart Screw Extension adaptors
- 2x sprung-half spindles
- 1x allen key

CARE INSTRUCTIONS

Only use a damp cloth with diluted mild detergent to remove any stains or finger prints. Residue build-up may cause corrosion or discolouration of the original finish.

Caring for lacquered or powder-coated items is much like caring for painted items. Wipe the product with a damp cloth, with diluted soap.

Dry the products thoroughly with a clean soft cloth.



BLAS

innovation. performance. design.